

# CARBIDE BURRS



DISTRIBUTOR:

**TECNIMETAL**

Via degli Andreani, 9 - 40037 Sasso Marconi (BO) - ITALY

Tel: +39 051 735744

E-mail: [info@tecnimetal-tm.com](mailto:info@tecnimetal-tm.com)

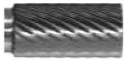
[www.tecnimetal-tm.com](http://www.tecnimetal-tm.com)



**BEST CARBIDE**

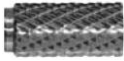


# Cuts



## SC Single

Cut that offers the best finish thanks to the large contact surface of the cutting edge, but requires greater operator control and skill.



## DC Cross

Most used cut, it offers greater control and is easier to manage by the operator, the surface finish is of good quality.



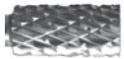
## DM Diamond

Ideal for hard materials thanks to the smaller contact surface of the cutting edge, less heat generated, lower surface quality.



## AL Aluminium

Special geometry for better cutting performance and chip evacuation on aluminium, aluminum alloys, plastics and non-ferrous metals.



## CC Coarse

This geometry has a more aggressive cutting action and better chip evacuation due to the larger cross cut width.

# Shapes

## SA

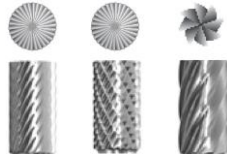
ZYA / TCA / CP  
Cylindrical



SC DC AL

## SB

ZYA-S / ZYB / TCB / CP-EC  
Cylindrical front cut



SC DC AL

## SC

WRC / TCC / CR  
Cylindrical radiused tip



SC DC AL

## SD

KUD / TCD / B  
Spherical



SC DC AL

## SELF

TRE / TCE / OV  
Oval



SC DC AL

## SF

RBF / TCG / TR  
Radius tip shaft



SC DC AL

## SG

SPG / TCH / TP  
Tip shaft



SC DC AL

## SH

FLF / TCF / F / B  
Flame



SC DC AL

## SJ

KSJ / TCL  
Conical 60°



SC DC

## SK

KSK / TCM  
Conical 90°



SC DC

## SL

KEL / TCK / T  
Conical radiused tip



SC DC AL

## SM

SKM / TCI / CO  
Conic



SC DC AL

## SN

WKN / TCN / IC  
Inverted cone



SC DC

## Speed

Diameter Head	Recommended speed rpm	Max. speed rpm
1.5	55,000 - 85,000	90,000
3	35,000 - 65,000	80,000
4	30,000 - 55,000	70,000
6	25,000 - 50,000	70,000
8	20,000 - 40,000	67,000
10	18,000 - 40,000	63,000
11	16,000 - 38,000	58,000
12	14,000 - 36,000	50,000
16	12,000 - 25,000	40,000
20	10,000 - 20,000	33,000
25	7,500 - 20,000	25,000

## Materials

Material	SC Single	DC Crossed	AL Aluminium	CC Grosso	DM Diamond
Aluminum			•		
Brass, Bronze, Copper	•	•		•	
Plastic			•	•	
Cast iron	•	•			
Stainless steel	•	•			
Alloy steels	•	•		•	•
Hardened steels	•	•			•
Titanium	•	•			
Zinc			•	•	
Glass fiber					•
Carbon fiber	•				
Hard rubber	•				

## Coatings



A – AlTiN 3.400HV

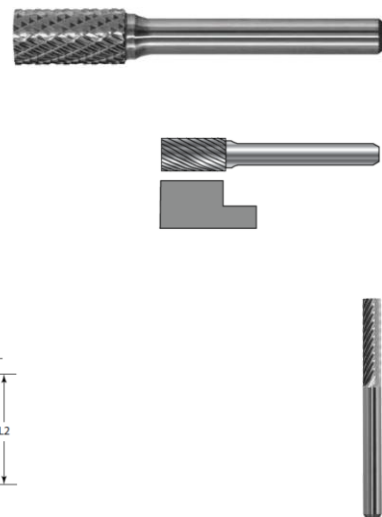
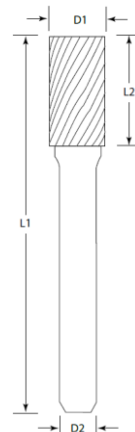


K – TiN 2.400HV

To order coated, add the letter to the end of the code.

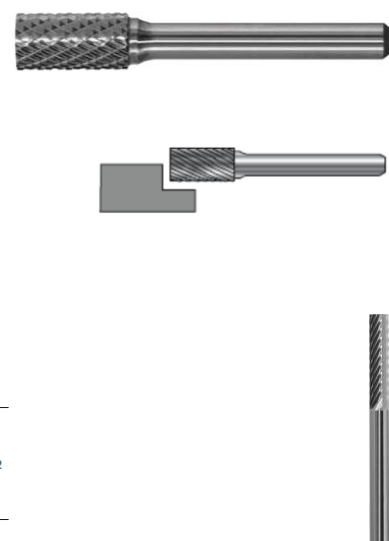
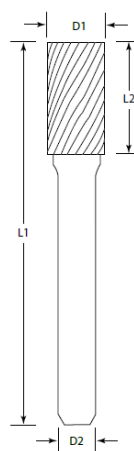
## SA – Cylindrical (ZYA – TCA – CP)

Code Single Cut	Code Cross cut	Form	Diameter Head Q1	Diameter Stem D2	Length Total L1	Length Cut L2
725-SA41	727-SA41	SA-41M	1.5	3	38	6
725-SA41L2	727-SA41L2	SA-41M	1.5	3	50	6
725-SA41L3	727-SA41L3	SA-41M	1.5	3	76	6
725-SA42	727-SA42	SA-42M	2.5	3	38	11
725-SA42L2	727-SA42L2	SA-42M	2.5	3	50	11
725-SA42L3	727-SA42L3	SA-42M	2.5	3	76	11
725-SA43	727-SA43	SA-43M	3	3	38	14
725-SA43L2	727-SA43L2	SA-43M	3	3	50	14
725-SA43L3	727-SA43L3	SA-43M	3	3	76	14
705-SA11	707-SA11	SA-11M	3	6	50	12.7
705-SA12	707-SA12	SA-12M	3	6	50	16
725-SA52	727-SA52	SA-52M	4	3	50	12.7
705-SA13	707-SA13	SA-13M	4	6	50	16
725-SA53	727-SA53	SA-53M	4.75	3	50	12.7
705-SA14	707-SA14	SA-14M	5	6	50	16
705-SA1	707-SA1	SA -1M	6	6	50	16
705-SA1L	707-SA1L	SA -1M	6	6	50	25
725-SA51	727-SA51	SA-51M	6.3	3	50	12.7
705-SA2	707-SA2	SA -2M	8	6	64	19
705-SA3	707-SA3	SA -3M	9.5	6	64	19
705-SA3L	707-SA3L	SA -3M	9.5	6	70	25
705-SA3X	707-SA3X	SA -3M	9.5	6	83	38
705-SA3MZ	707-SA3MZ	SA -3M	10	6	60	20
705-SA4	707-SA4	SA -4M	11	6	70	25
705-SA5MZ	707-SA5MZ	SA -5M	12	6	65	25
705-SA5	707-SA5	SA -5M	12.7	6	70	25
705-SA6	707-SA6	SA -6M	16	6	76	25
705-SA15	707-SA15	SA-15M	19	6	64	12.7
705-SA16	707-SA16	SA-16M	19	6	70	19
705-SA7	707-SA7	SA -7M	19	6	76	25
705-SA9	707-SA9	SA -9M	25	6	76	25



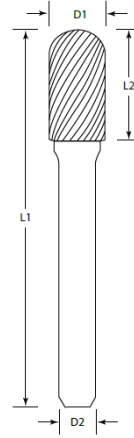
## SB – Cylindrical Front Cut (ZYA-S/ZYB/TCB/CP-EC)

Code Single Cut	Code Cross cut	Form	Diameter Head Q1	Diameter Stem D2	Length Total L1	Length Cut L2
725-SB41	727-SB41	SB-41M	1.5	3	38	6
725-SB41L2	727-SB41L2	SB-41M	1.5	3	50	6
725-SB41L3	727-SB41L3	SB-41M	1.5	3	76	6
725-SB42	727-SB42	SB42M	2.5	3	38	11
725-SB42L2	727-SB42L2	SB42M	2.5	3	50	11
725-SB42L3	727-SB42L3	SB42M	2.5	3	76	11
725-SB43	727-SB43	SB-43M	3	3	38	14
725-SBEC O		SB-ECOM	3	3	38	Front cut only
725-SB43L2	727-SB43L2	SB-43M	3	3	50	14
725-SB43L3	727-SB43L3	SB-43M	3	3	76	14
705-SB11	727-SB11	SB-11M	3	6	50	12.7
705-SB12	707-SB12	SB-12M	3	6	50	16
725-SB52	727-SB52	SB-52M	4	3	50	12.7
705-SB13	707-SB13	SB-13M	4	6	50	16
725-SB53	727-SB53	SB-53M	4.75	3	50	12.7
705-SB14	707-SB14	SB-14M	5	6	50	16
705-SB1	707-SB1	SB-1M	6	6	50	16
705-SB1L	707-SB1L	SB-1M	6	6	50	25
725-SB51-4.7	727-SB51-4.7	SB-51M	6.3	3	43	4.7
725-SB51-12.7	727-SB51-12.7	SB-51M	6.3	3	50	12.7
705-SB2	707-SB2	SB-2M	8	6	64	19
705-SB3	707-SB3	SB-3M	9.5	6	64	19
705-SB3L	707-SB3L	SB-3M	9.5	6	70	25
705-SB3X	707-SB3X	SB-3M	9.5	6	83	38
705-SB3MZ	707-SB3MZ	SB-3M	10	6	60	20
705-SB4	707-SB4	SB-4M	11	6	70	25
705-SA5MZ	707-SA5MZ	SB-5M	12	6	65	25
705-SB5	707-SB5	SB-5M	12.7	6	70	25
705-SB6	707-SB6	SB-6M	16	6	76	25
705-SB15	707-SB15	SB-15M	19	6	64	12.7
705-SB16	707-SB16	SB-16M	19	6	70	19
705-SB7	707-SB7	SB-7M	19	6	76	25
705-SB9	707-SB9	SB-9M	25	6	76	25



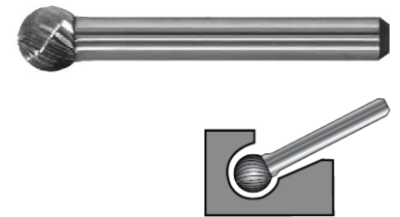
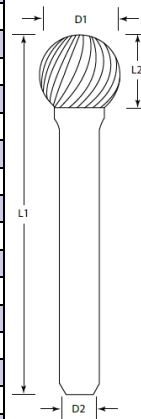
## SC – Cylindrical Radius Tip ( WRC - TCC – CR)

Code Single Cut	Code Cross cut	Form	Diameter Head Q1	Diameter Stem D2	Length Total L1	Length Cut L2
725-SC41	727-SC41	SC-41M	2.5	3	38	11
725-SC42 ●	727-SC42 ●	SC-42M	3	3	38	14
725-SC42L2 ●	727-SC42L2	SC-42M	3	3	50	14
725-SC42L3	727-SC42L3	SC-42M	3	3	76	14
705-SC11	707-SC11	SC-11M	3	6	50	12.7
705-SC12	707-SC12	SC-12M	3	6	50	16
725-SC52	727-SC52	SC-52M	4	3	50	12.7
705-SC13	707-SC13	SC-13M	4	6	50	16
725-SC53	727-SC53	SC-53M	4.75	3	50	12.7
705-SC14	707-SC14	SC-14M	5	6	50	16
705-SC1	707-SC1	SC-1M	6	6	50	16
705-SC1L	707-SC1L	SC-1M	6	6	50	25
725-SC51	727-SC51	SC-51M	6.3	3	50	12.7
705-SC2	707-SC2	SC-2M	8	6	64	19
705-SC3	707-SC3	SC-3M	9.5	6	64	19
705-SC3L	707-SC3L	SC-3M	9.5	6	70	25
705-SC3X	707-SC3X	SC-3M	9.5	6	83	38
705-SC3MZ	707-SC3MZ	SC-3M	10	6	60	20
705-SC4	707-SC4	SC-4M	11	6	70	25
705-SC5MZ	707-SC5MZ	SC-5M	12	6	65	25
705-SC5	707-SC5	SC-5M	12.7	6	70	25
705-SC6	707-SC6	SC-6M	16	6	76	25
705-SC15	707-SC15	SC-15M	19	6	64	12.7
705-SC16	707-SC16	SC-16M	19	6	70	19
705-SC7	707-SC7	SC-7M	19	6	76	25
705-SC8	707-SC8	SC-8M	22	6	76	25
705-SC9	707-SC9	SC-9M	25	6	76	25



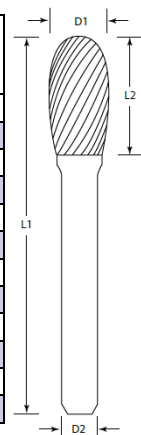
## SD – Spherical ( KUD - TCD – B)

Code Single Cut	Code Cross cut	Form	Diameter Head Q1	Diameter Stem D2	Length Total L1	Length Cut L2
725-SD41 ●	727-SD41	SD-41M	2.5	3	38	2
725-SD42 ●	727-SD42	SD-42M	3	3	38	2.4
725-SD42L2 ●	727-SD42L2	SD-42M	3	3	50	2.4
725-SD42L3	727-SD42L3	SD-42M	3	3	76	2.4
705-SD11	707-SD11	SD-11M	3	6	50	2.4
725-SD52	727-SD52	SD-52M	4	3	42	3.5
725-SD53	727-SD53	SD-53M	4.75	3	42	4
725-SD53L3	727-SD53L3	SD-53M	4.75	3	80	4
705-SD14	707-SD14	SD-14M	5	6	50	4.5
705-SD1	707-SD1	SD-1M	6	6	50	5.5
725-SD51	727-SD51	SD-51M	6.3	3	44	5.5
705-SD2	707-SD2	SD-2M	8	6	51	6
705-SD3	707-SD3	SD-3M	9.5	6	53	8
705-SD3MZ	707-SD3MZ	SD-3M	10	6	49	9
705-SD4	707-SD4	SD-4M	11	6	54	9.5
705-SD5MZ	707-SD5MZ	SD-5M	12	6	51	10.8
705-SD5	707-SD5	SD-5M	12.7	6	56	11
705-SD6	707-SD6	SD-6M	16	6	65	14
705-SD7	707-SD7	SD-7M	19	6	68	17
705-SD9	707-SD9	SD-9M	25	6	74	22



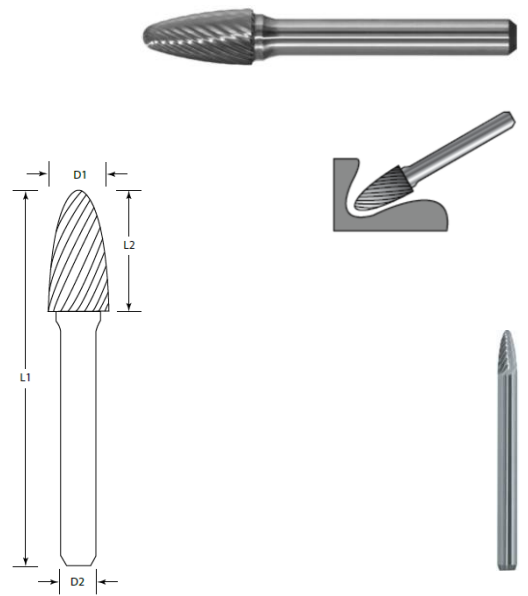
## SE – Oval ( TRE - TCE - OV)

Code Single Cut	Code Cross cut	Form	Diameter Head Q1	Diameter Stem D2	Length Total L1	Length Cut L2
725-SE41	727-SE41	SE-41M	3	3	38	5.5
725-SE41L2	727-SE41L2	SE-41M	3	3	50	5.5
725-SE41L3	727-SE41L3	SE-41M	3	3	76	5.5
725-SE53 ●	727-SE53	SE-53M	4.75	3	45	7
705-SE11	707-SE11	SE-11M	5	6	50	8
705-SE1	707-SE1	SE-1M	6	6	50	9.5
725-SE51	727-SE51	SE-51M	6.3	3	48	9.5
705-SE2	707-SE2	SE-2M	8	6	58	12.7
705-SE3	707-SE3	SE-3M	9.5	6	60	16
705-SE5	707-SE5	SE-5M	12.7	6	67	22
705-SE6	707-SE6	SE-6M	16	6	76	25
705-SE7	707-SE7	SE-7M	19	6	76	25



## SF – Punta Raggiata Tree (RBF - TCG - TR)

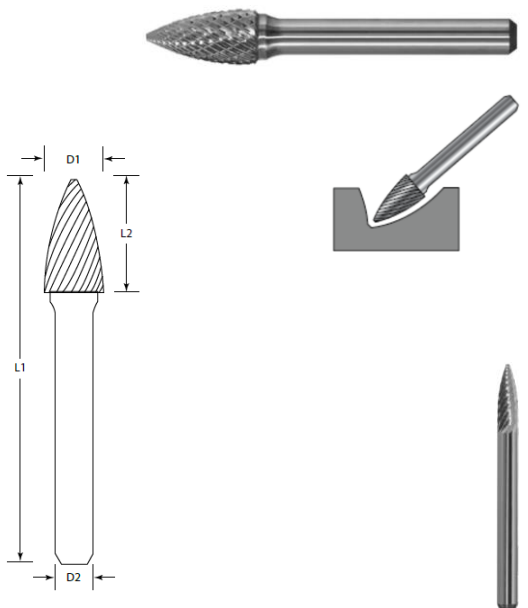
Code Single Cut	Code Cross cut	Form	Diameter Head Q1	Diameter Stem D2	Length Total L1	Length Cut L2
725-SF41 ●	727-SF41	SF-41M	3	3	38	6
725-SF42 ●	727-SF42	SF-42M	3	3	38	12.7
725-SF42L2	727-SF42L2	SF-42M	3	3	50	12.7
725-SF42L3	727-SF42L3	SF-42M	3	3	76	12.7
705-SF11	707-SF11	SF-11M	3	6	50	12.7
725-SF53	727-SF53	SF-53M	4.75	3	50	12.7
705-SF1	707-SF1	SF-1M	6	6	50	16
725-SF51	727-SF51	SF-51M	6.3	3	50	12.7
705-SF3	707-SF3	SF-3M	9.5	6	64	19
705-SF4	707-SF4	SF-4M	11	6	70	25
705-SF5MZ	707-SF5MZ	SF-5M	12	6	65	25
705-SF13	707-SF13	SF-13M	12.7	6	64	19
705-SF5	707-SF5	SF-5M	12.7	6	70	25
705-SF6	707-SF6	SF-6M	16	6	76	25
705-SF7	707-SF7	SF-7M	19	6	76	25
705-SF14	707-SF14	SF-14M	19	6	83	32
705-SF15	707-SF15	SF-15M	19	6	89	38



## SG – Tree with Tip (GSP - TCH - TP)

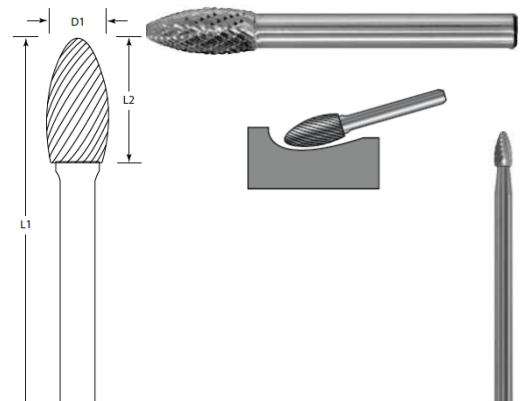
Code Single Cut	Code Cross cut	Form	Diameter Head Q1	Diameter Stem D2	Length Total L1	Length Cut L2
725-SG41	727-SG41	SG-41M	3	3	38	6
725-SG42	727-SG42	SG-42M	3	3	38	8
725-SG43	727-SG43	SG-43M	3	3	38	9.5
1018-700-00059-A	ND	SG-43M	3	3	38	9.5
725-SG44 ●	727-SG44	SG-44M	3	3	38	12.7
725-SG44L2	727-SG44L2	SG-44M	3	3	50	12.7
725-SG44L3	727-SG44L3	SG-44M	3	3	76	12.7
725-SG53	727-SG53	SG-53M	4.75	3	50	12.7
705-SG1	707-SG1	SG-1M	6	6	50	16
725-SG51	727-SG51	SG-51M	6.3	3	50	12.7
705-SG2	707-SG2	SG-2M	8	6	64	19
705-SG3	707-SG3	SG-3M	9.5	6	64	19
705-SG3MZ	707-SG3MZ	SG-3M	10	6	60	20
705-SG5MZ	707-SG5MZ	SG-5M	12	6	65	25
705-SG13	707-SG13	SG-13M	12.7	6	64	19
705-SG5	707-SG5	SG-5M	12.7	6	70	25
705-SG6	707-SG6	SG-6M	16	6	76	25
705-SG7	707-SG7	SG-7M	19	6	76	25
705-SG15	707-SG15	SG-15M	19	6	89	38

SPECIAL GEOMETRY FOR STAINLESS STEEL, TITANIUM, INCONEL



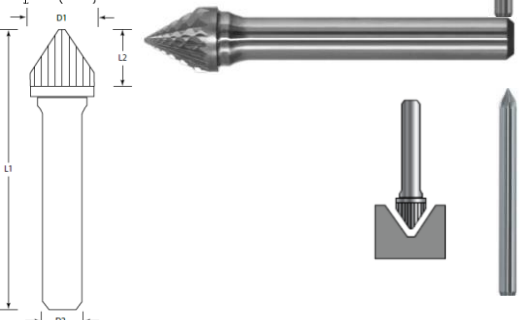
## SH – Flame (FLF - TCF - F - B)

Code Single Cut	Code Cross cut	Form	Diameter Head Q1	Diameter Stem D2	Length Total L1	Length Cut L2
725-SH41 ●	727-SH41	SH-41M	3	3	38	6.3
725-SH41L2	727-SH41L2	SH-41M	3	3	50	6.3
725-SH41L3	727-SH41L3	SH-41M	3	3	76	6.3
725-SH53	727-SH53	SH-53M	4.75	3	48	9.5
705-SH1	707-SH1	SH-1M	6	6	50	16
705-SH2	707-SH2	SH-2M	8	6	64	19
705-SH5	707-SH5	SH-5M	12.7	6	76	32
705-SH6	707-SH6	SH-6M	16	6	87	36
705-SH7	707-SH7	SH-7M	19	6	ninety two	41



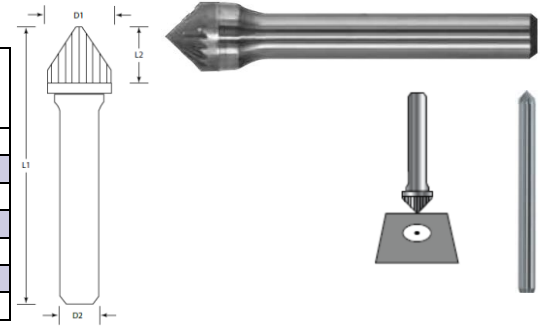
## SJ – Conic 60° (KSJ-TCL)

Code Single Cut	Code Cross cut	Form	Diameter Head Q1	Diameter Stem D2	Length Total L1	Length Cut L2
725-SJ42	727-SJ42	SJ-42M	3	3	38	2.4
705-SJ1	707-SJ1	SJ-1M	6	6	50	5
705-SJ3	707-SJ3	SJ-3M	9.5	6	56	8
705-SJ5	707-SJ5	SJ-5M	12.7	6	58	11
705-SJ6	707-SJ6	SJ-6M	16	6	68	14
705-SJ7	707-SJ7	SJ-7M	19	6	71	15
705-SJ9	707-SJ9	SJ-9M	25	6	75	19



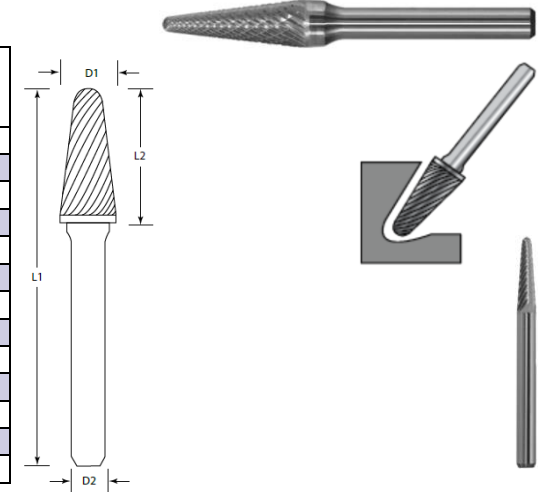
## SK – Conical 90° (KSK-TCM)

Code Single Cut	Code Cross cut	Form	Diameter Head Q1	Diameter Stem D2	Length Total L1	Length Cut L2
725-SK42	727-SK42	SK-42M	3	3	38	1.5
705-SK1	707-SK1	SK -1M	6	6	50	3
705-SK3	707-SK3	SK -3M	9.5	6	52	4.8
705-SK5	707-SK5	SK -5M	12.7	6	54	6.3
705-SK6	707-SK6	SK -6M	16	6	63	8
705-SK7	707-SK7	SK -7M	19	6	65	9.5
705-SK9	707-SK9	SK -9M	25	6	67	12.7



## SL – Conical Radius Tip (KEL-TCK-T)

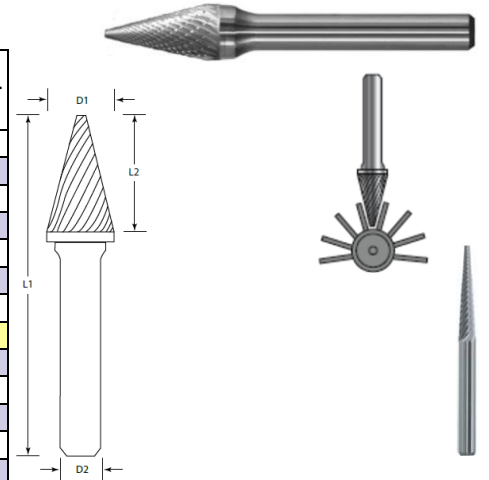
Code Single Cut	Code Cross cut	Form	Diameter Head Q1	Diameter Stem D2	Length Total L1	Length Cut L2
725-SL41 ●	727-SL41	SL -41M	3	3	38	9.5
725-SL42 ●	727-SL42	SL -42M	3	3	38	12.7
725-SL42L2	727-SL42L2	SL -42M	3	3	50	12.7
725-SL42L3	727-SL42L3	SL -42M	3	3	76	12.7
725-SL53	727-SL53	SL -53M	4.75	3	50	12.7
725-SL51	727-SL51	SL -51M	6.3	3	50	12.7
705-SL1	707-SL1	SL -1M	6	6	50	16
705-SL2	707-SL2	SL -2M	8	6	70	22
705-SL3	707-SL3	SL -3M	9.5	6	75	27
705-SL4	707-SL4	SL -4M	12.7	6	76	29
705-SL5	707-SL5	SL -5M	16	6	84	30
705-SL6	707-SL6	SL -6M	16	6	87	33
705-SL7	707-SL7	SL -7M	19	6	ninety two	38



## SM – Conical (SKM-TCI-CO)

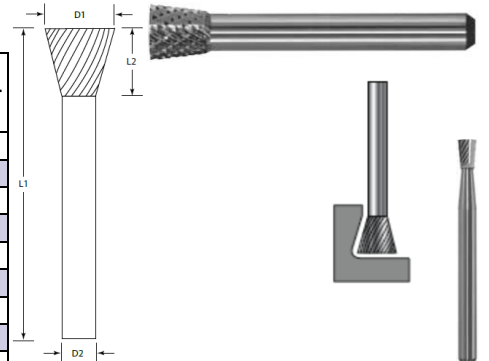
Code Single Cut	Code Cross cut	Form	Diameter Head Q1	Diameter Stem D2	Length Total L1	Length Cut L2	Corner
725-SM41 ●	727-SM41	SM-41M	3	3	38	9	12th
725-SM42 ●	727-SM42	SM-42M	3	3	38	11	14th
725-SM42L2	727-SM42L2	SM-42M	3	3	50	11	14th
725-SM42L3	727-SM42L3	SM-42M	3	3	76	11	14th
725-SM43	727-SM43 ●	SM-43M	3	3	38	16	7th
725-SM43L2	727-SM43L2	SM-43M	3	3	50	16	7th
725-SM43L3	727-SM43L3	SM-43M	3	3	76	16	7th
1016-700-00378-A	nd	SM-43M	3	3	38	16	7th
725-SM53	727-SM53	SM-53M	4.75	3	50	12.7	16th
705-SM1	707-SM1	SM-1M	6	6	50	12.7	22nd
705-SM2	707-SM2	SM-2M	6	6	50	19	14th
705-SM3	707-SM3	SM-3M	6	6	50	25	10th
725-SM51	727-SM51	SM-51M	6.3	3	54	12.7	22nd
705-SM4	707-SM4	SM-4M	9.5	6	64	16	28°
705-SM5	707-SM5	SM-5M	12.7	6	70	22	28°
705-SM6	707-SM6	SM-6M	16	6	79	25	31st

SPECIAL GEOMETRY FOR STAINLESS STEEL, TITANIUM, INCONEL



## SN – Inverted Cone (WKN/TCN/IC)

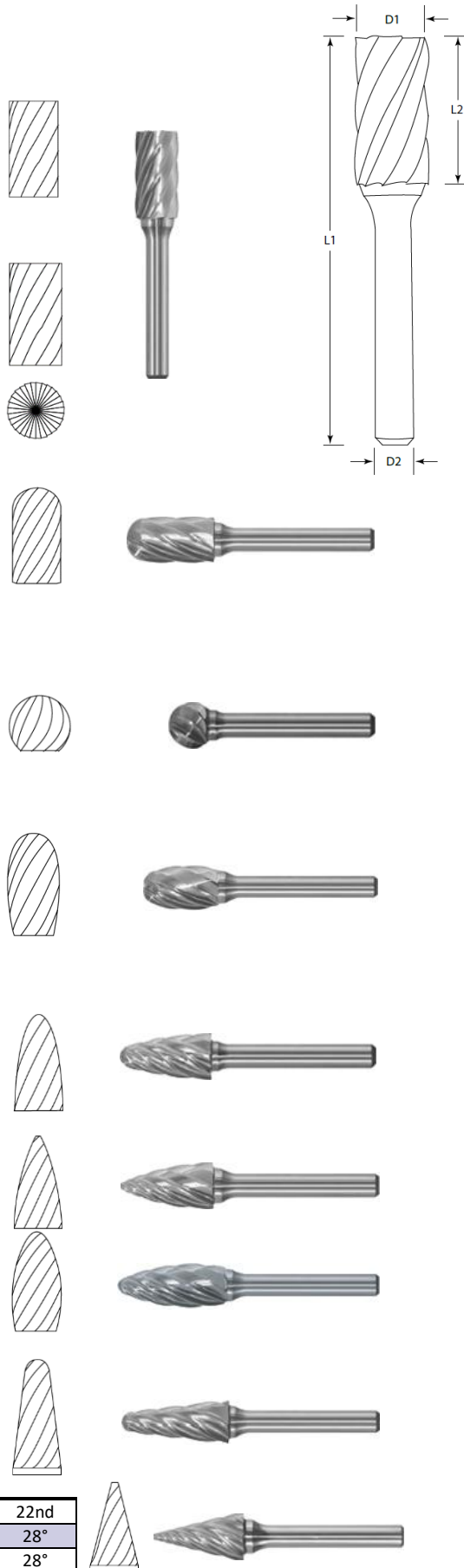
Code Single Cut	Code Cross cut	Form	Diameter Head Q1	Diameter Stem D2	Length Total L1	Length Cut L2	Corner
725-SN41	727-SN41	SN-41M	2.5	3	38	3	10th
725-SN42	727-SN42	SN-42M	3	3	38	4	10th
725-SN53	727-SN53	SN-53M	4.75	3	44	6.3	10th
705-SN1	707-SN1	SN-1M	6	6	50	8	10th
725-SN51	727-SN51	SN-51M	6.3	3	44	6.3	10th
705-SN2	707-SN2	SN-2M	9.5	6	54	9.5	13th
705-SN4	707-SN4	SN-4M	12.7	6	57	12.7	28°
705-SN6	707-SN6	SN-6M	16	6	70	19	18th
705-SN7	707-SN7	SN-7M	19	6	67	16	30°



# Aluminum cutting



Code Aluminum cutting	Form	Diameter Head Q1	Diameter Stem D2	Length Total L1	Length Cut L2	
735-SA1NF	SA -1M	6	6	50	19	
735-SA3NF	SA -3M	9.5	6	64	19	
735-SA4NF	SA -4M	11	6	70	25	
735-SA5NF	SA -5M	12.7	6	70	25	
735-SA6NF	SA -6M	16	6	76	25	
735-SA7NF	SA -7M	19	6	76	25	
735-SA7NF0.375	SA -7M	19	9.5	76	25	
735-SA9NF	SA -9M	25	6	76	25	
735-SB1NF	SB-1M	6	6	50	19	
735-SB3NF	SB-3M	9.5	6	64	19	
735-SB4NF	SB-4M	11	6	70	25	
735-SB5NF	SB-5M	12.7	6	70	25	
735-SB6NF	SB-6M	16	6	76	25	
735-SB7NF	SB-7M	19	6	76	25	
735-SB7NF0.375	SB-7M	19	9.5	76	25	
735-SB9NF	SB-9M	25	6	76	25	
735-SC1NF	SC-1M	6	6	50	19	
735-SC3NF	SC-3M	9.5	6	64	19	
735-SC4NF	SC-4M	11	6	70	25	
735-SC5NF	SC-5M	12.7	6	70	25	
735-SC6NF	SC-6M	16	6	76	25	
735-SC7NF	SC-7M	19	6	76	25	
735-SC7NF0.375	SC-7M	19	9.5	76	25	
735-SC9NF	SC-9M	25	6	76	25	
735-SD1NF	SD-1M	6	6	50	5.5	
735-SD3NF	SD-3M	9.5	6	53	8	
735-SD5NF	SD-5M	12.7	6	56	11	
735-SD6NF	SD-6M	16	6	65	14	
735-SD7NF	SD-7M	19	6	68	17	
735-SD7NF0.375	SD-7M	19	9.5	68	17	
735-SD9NF	SD-9M	25	6	74	22	
735-SE1NF	SE-1M	6	6	50	9.5	
735-SE3NF	SE-3M	9.5	6	60	16	
735-SE5NF	SE-5M	12.7	6	67	22	
735-SE6NF	SE-6M	16	6	76	25	
735-SE7NF	SE-7M	19	6	76	25	
735-SE7NF0.375	SE-7M	19	9.5	76	25	
735-SF1NF	SF-1M	6	6	50	19	
735-SF3NF	SF-3M	9.5	6	64	19	
735-SF5NF	SF-5M	12.7	6	70	25	
735-SF6NF	SF-6M	16	6	76	25	
735-SF7NF	SF-7M	19	6	76	25	
735-SF14NF	SF-14M	19	6	83	32	
735-SF14NF0.375	SF-14M	19	9.5	83	32	
735-SF15NF	SF-15M	19	6	89	38	
735-SG1NF	SG-1M	6	6	50	19	
735-SG3NF	SG-3M	9.5	6	64	19	
735-SG5NF	SG-5M	12.7	6	70	25	
735-SH1NF	SH-1M	6	6	50	16	
735-SH5NF	SH-5M	12.7	6	76	32	
735-SH6NF	SH-6M	16	6	87	36	
735-SH7NF	SH-7M	19	6	ninety two	41	
735-SL1NF	SL -1M	6	6	50	16	
735-SL3NF	SL -3M	9.5	6	75	27	
735-SL4NF	SL -4M	12.7	6	76	29	
735-SL5NF	SL -5M	16	6	84	30	
735-SL6NF	SL -6M	16	6	87	33	
735-SL7NF	SL -7M	19	6	ninety two	38	
735-SL7NF0.375	SL -7M	19	9.5	ninety two	38	
735-SM1NF	SM-1M	6	6	50	12.7	22nd
735-SM4NF	SM-4M	9.5	6	64	16	28°
735-SM5NF	SM-5M	12.7	6	70	22	28°





# Long Stem



Code Single Cut	Code Cross cut	Code Aluminum cutting	Form	Diameter Head Q1	Diameter Stem D2	Length Total L1	Length Cut L2
-----------------	----------------	-----------------------	------	------------------	------------------	-----------------	---------------

715-SA1L6	717-SA1L6	736-SA1L6	SA -1M	6	6	165	12.7
715-SA3L6	717-SA3L6	736-SA3L6	SA -3M	9.5	6	171	19
715-SA5L6	717-SA5L6	736-SA5L6	SA -5M	12.7	6	178	25
715-SA9L6	717-SA9L6	736-SA9L6	SA -9M	25.4	6	178	25



715-SB1L6	717-SB1L6	736-SB1L6	SB-1M	6	6	165	12.7
715-SB3L6	717-SB3L6	736-SB3L6	SB-3M	9.5	6	171	19
715-SB5L6	717-SB5L6	736-SB5L6	SB-5M	12.7	6	178	25



715-SC1L6	717-SC1L6	736-SC1L6	SC-1M	6	6	165	12.7
715-SC3L6	717-SC3L6	736-SC3L6	SC-3M	9.5	6	171	19
715-SC5L6	717-SC5L6	736-SC5L6	SC-5M	12.7	6	178	25



715-SD1L6	717-SD1L6	736-SD1L6	SD-1M	6	6	158	5.5
715-SD3L6	717-SD3L6	736-SD3L6	SD-3M	9.5	6	161	8
715-SD5L6	717-SD5L6	736-SD5L6	SD-5M	12.7	6	164	11



715-SE1L6	717-SE1L6	736-SE1L6	SE-1M	6	6	162	9.5
715-SE3L6	717-SE3L6	736-SE3L6	SE-3M	9.5	6	168	16
715-SE5L6	717-SE5L6	736-SE5L6	SE-5M	12.7	6	175	22



715-SF1L6	717-SF1L6	736-SF1L6	SF-1M	6	6	165	12.7
715-SF3L6	717-SF3L6	736-SF3L6	SF-3M	9.5	6	171	19
715-SF4L6	717-SF4L6	736-SF4L6	SF-4M	11	6	178	25
715-SF5L6	717-SF5L6	736-SF5L6	SF-5M	12.7	6	178	25



715-SG1L6	717-SG1L6	736-SG1L6	SG-1M	6	6	165	12.7
715-SG3L6	717-SG3L6	736-SG3L6	SG-3M	9.5	6	171	19
715-SG5L6	717-SG5L6	736-SG5L6	SG-5M	12.7	6	178	25



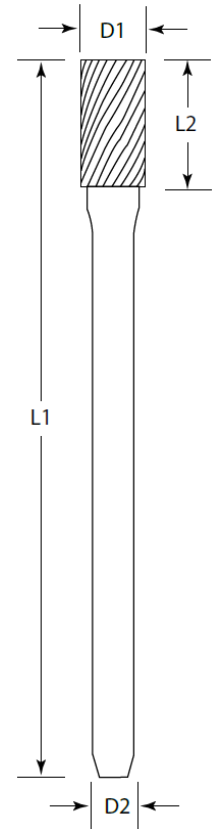
715-SH2L6	717-SH2L6		SH-2M	8	6	171	19
715-SH5L6	717-SH5L6	736-SH5L6	SH-5M	12.7	6	184	31.7



715-SL1L6	717-SL1L6	736-SL1L6	SL-1M	6	6	168	16
715-SL3L6	717-SL3L6	736-SL3L6	SL-3M	9.5	6	179	27
715-SL4L6	717-SL4L6	736-SL4L6	SL-4M	12.7	6	184	28.6



715-SM1L6	717-SM1L6	736-SM1L6	SM-1M	6	6	168	12.7	22°*
715-SM4L6	717-SM4L6	736-SM4L6	SM-4M	9.5	6	171	16	28°*
715-SM5L6	717-SM5L6	736-SM5L6	SM-5M	12.7	6	178	22	28°*



# Coarse Cut



Code Coarse Cut	Form	Diameter Head Q1	Diameter Stem D2	Length Total L1	Length Cut L2	Right Flute	Left Flute
--------------------	------	------------------------	------------------------	-----------------------	---------------------	-------------	------------

709-SA2	SA-2M	8	6	64	19	16	8
709-SA3	SA-3M	9.5	6	64	19	18	9
709-SA5	SA-5M	12.7	6	70	25	20	10
709-SA5-S-8.0	SA-5M	12.7	8	70	25	20	10

709-SB2	SB-2M	8	6	64	19	16	8
709-SB3	SB-3M	9.5	6	64	19	18	9
709-SB5	SB-5M	12.7	6	70	25	20	10
709-SB5-S-8.0	SB-5M	12.7	8	70	25	20	10

709-SC2	SC-2M	8	6	64	19	16	8
709-SC3	SC-3M	9.5	6	64	19	18	9
709-SC5	SC-5M	12.7	6	70	25	20	10
709-SC5-S-8.0	SC-5M	12.7	8	70	25	20	10
709-SC6-S-8.0	SC-6M	16	8	76	25	20	12

709-SD2	SD-2M	8	6	51	6	16	8
709-SD3	SD-3M	9.5	6	53	8	18	9
709-SD5	SD-5M	12.7	6	56	11	20	10
709-SD5-S-8.0	SD-5M	12.7	8	56	11	20	10

709-SE3	SE-3M	9.5	6	60	16	18	9
709-SE5	SE-5M	12.7	6	67	22	20	10
709-SE5-S-8.0	SE-5M	12.7	8	67	22	20	10

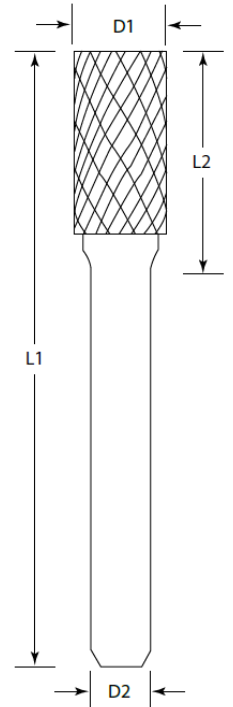
709-SF3	SF-3M	9.5	6	64	19	18	9
709-SF5	SF-5M	12.7	6	70	25	20	10
709-SF5-S-8.0	SF-5M	12.7	8	70	25	20	10
709-SF6-S-8.0	SF-6M	16	8	76	25	20	10

709-SG2	SG-2M	8	6	64	19	16	8
709-SG3	SG-3M	9.5	6	64	19	18	9
709-SG5	SG-5M	12.7	6	70	25	20	10
709-SG5-S-8.0	SG-5M	12.7	8	70	25	20	10
709-SG6-S-8.0	SG-6M	16	8	76	25	20	12

709-SH5	SH-5M	12.7	6	76	32	20	10
709-SH5-S-8.0	SH-5M	12.7	8	76	32	20	10

709-SL2	SL-2M	8	6	70	22	16	8
709-SL3	SL-3M	9.5	6	75	27	18	9
709-SL4	SL-4M	12.7	6	76	29	20	10
709-SL4-S-8.0	SL-4M	12.7	8	76	29	20	10

709-SM5	SM-5M	12.7	6	70	22	20	10
709-SM5-S-8.0	SM-5M	12.7	8	70	22	20	10



## Kit - 10pcs

Code Single Cut	Code Cross cut	Form	Diameter Head Q1	Diameter Stem D2	Length Total L1	Length Cut L2
757-MBK-SC	757-MBK-DC	SC-42M	3	3	38	14
		SD-41M	2.5	3	38	2
		SD-42M	3	3	38	2.4
		SE-41M	3	3	38	5.5
		SF-41M	3	3	38	6
		SH-41M	3	3	38	6.3
		SJ-42M	3	3	38	2.4
		SL-42M	3	3	38	12.7
		SM-42M	3	3	38	11
		SN-42M	3	3	38	4



## Kit - 8pcs

Code Single Cut	Code Cross cut	Form	Diameter Head Q1	Diameter Stem D2	Length Total L1	Length Cut L2
756-RBK-SC	756-RBK-DC	SA-1M	6	6	50	16
		SA-3M	9.5	6	64	19
		SA-5M	12.7	6	70	25
		SC-1M	6	6	50	16
		SC-3M	9.5	6	64	19
		SC-5M	12.7	6	70	25
		SD-3M	9.5	6	53	8
		SD-5M	12.7	6	56	11



## Special with flexible shank



