

LOCKONE®

A Superior Locking Force



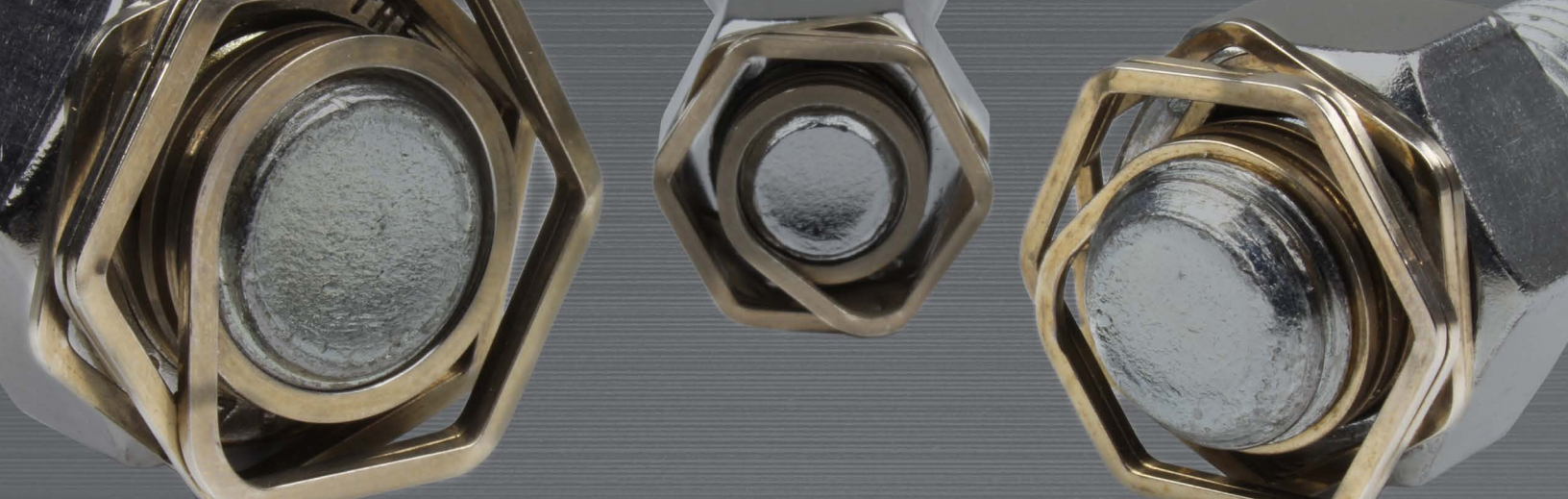
Vibration Tested In Accordance With NAS3350.

LockOne can be easily substituted into existing designs.

KATO®
KATO FASTENING SYSTEMS, INC.

tmTECNIMETAL

Via degli Andreani, 9
40037 Sasso Marconi (BO) ITALY
Tel +39 051 735744
info@tecnimetal-tm.com
www.tecnimetal-tm.com
www.tecnimetal-tm.eu



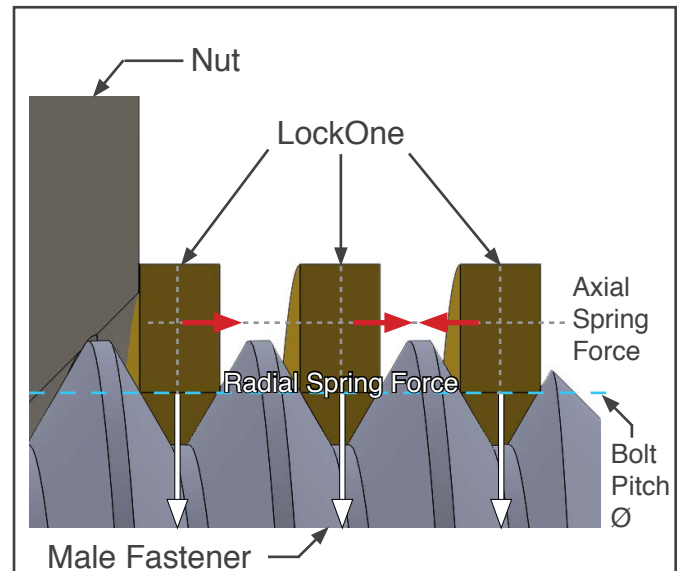
KATO LockOne

KATO's **NEW LockOne** is a revolutionary lightweight, positive locking fastener designed to prevent a standard nut from loosening free under vibration. Unlike nuts with nylon or locking compounds, LockOne won't come loose under vibration, and can be reused without applying any hazardous chemical compounds.

Save on assembly costs! No expensive replacement nuts needed! LockOne can be used in a wide range of industries such as: electronics, aerospace, telecommunications, automotive, energy, and transportation.

LockOne Features

- ✓ Fast and easy to install.
- ✓ No special tools required.
- ✓ FOD Free. No locking compounds needed.
- ✓ Corrosion resistant stainless steel.
- ✓ Reusable, does not degrade with each cycle.
- ✓ Vibration-Proof, positive locking force.
- ✓ Designed for harsh environments.
- ✓ Ideal for weight sensitive applications.



Superior Force

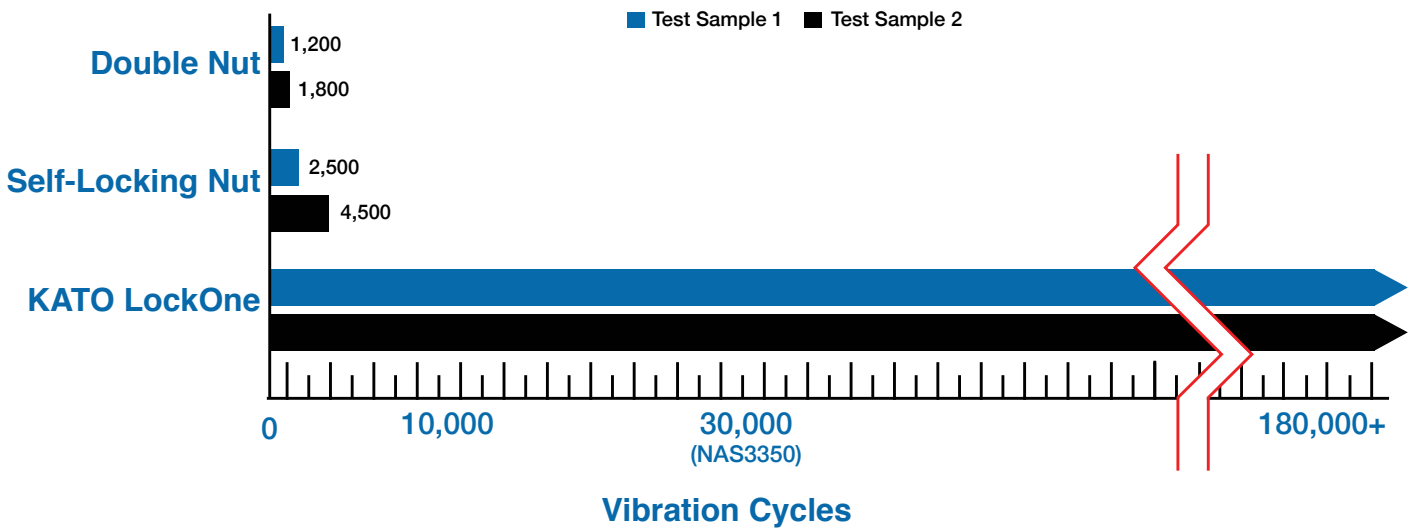
Once positioned against the nut, LockOne engages the bolt along the pitch diameter inducing spring forces axially and radially. These forces hold LockOne in place, preventing bolts and nuts from loosening free under vibration.

Watch LockOne in action on our website.

**KATO LockOne
prevents the nut
from loosening free
from the bolt!**



LockOne Performance



LockOne surpasses the testing requirements of NAS3350 (National Aerospace Specification for impact type vibration test).

Installation is Easy!



Simply load LockOne into the 12-Point socket.



Load the standard nut on top of LockOne.

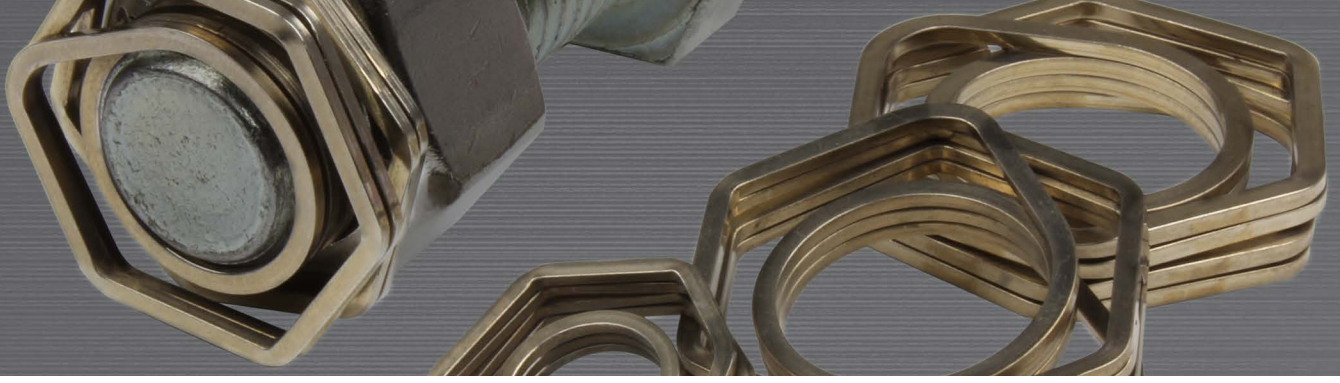


Tighten to application requirements.



If there is a gap between LockOne and the nut, simply hand tighten the LockOne until it is flush with the nut.

LockOne is so easy to use it can also be threaded on manually to existing applications. LockOne only requires three threads beyond the nut to work.



Part Numbers & Specifications

KLO C - 8

Product Code:

- **KLO** - KATO LockOne

Thread Designation:

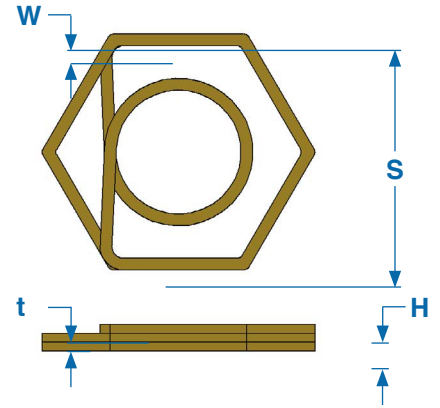
- **C** - Coarse
- **M** - Metric
- **F** - Fine

Products:

- **Blank** - For Bulk
- **P** - LockOne Pack

Size Designation:

- **Chart Below**



Thread Size	Bulk Part No.	LockOne Pack		
		Pack Part No.	Quantity	12PT-Socket
Unified Coarse				
1/4-20	KLOC-4	KLOC-4P	(10/PKG)	7/16
5/16-18	KLOC-5	KLOC-5P	(10/PKG)	1/2
3/8-16	KLOC-6	KLOC-6P	(10/PKG)	9/16
7/16-14	KLOC-7	KLOC-7P	(10/PKG)	11/16
1/2-13	KLOC-8	KLOC-8P	(10/PKG)	3/4
5/8-11	KLOC-10	KLOC-10P	(6/PKG)	15/16
3/4-10	KLOC-12	KLOC-12P	(2/PKG)	1-1/8
7/8-9	KLOC-14	KLOC-14P	(2/PKG)	1-5/16
1-8	KLOC-16	KLOC-16P	(2/PKG)	1-1/2
Unified Fine				
5/16-24	KLOF-5	KLOF-5P	(10/PKG)	1/2
3/8-24	KLOF-6	KLOF-6P	(10/PKG)	9/16
1/2-20	KLOF-8	KLOF-8P	(10/PKG)	3/4
1-12	KLOF-16	KLOF-16P	(2/PKG)	1-1/2
Metric Sizes				
M4X.7	KLOM-4	KLOM-4P	(10/PKG)	7mm
M5X.8	KLOM-5	KLOM-5P	(10/PKG)	8mm
M6X1	KLOM-6	KLOM-6P	(10/PKG)	10mm
M8X1.25	KLOM-8	KLOM-8P	(10/PKG)	13mm
M10X1.5	KLOM-10	KLOM-10P	(10/PKG)	17mm
M12X1.75	KLOM-12	KLOM-12P	(10/PKG)	19mm
M16X2	KLOM-16	KLOM-16P	(6/PKG)	24mm
M20X2.5	KLOM-20	KLOM-20P	(2/PKG)	30mm
M22X2.5	KLOM-22	KLOM-22P	(2/PKG)	32mm
M24X3	KLOM-24	KLOM-24P	(2/PKG)	36mm

Thread Size	KATO Part No.	Technical Data				Weight
		S	H	W	t	
Unified Coarse						
1/4-20	KLOC-4	0.43	0.11	0.03	0.03	0.80 g
5/16-18	KLOC-5	0.50	0.11	0.03	0.03	0.80 g
3/8-16	KLOC-6	0.55	0.13	0.04	0.03	1.30 g
7/16-14	KLOC-7	0.65	0.14	0.05	0.03	2.31 g
1/2-13	KLOC-8	0.75	0.16	0.05	0.04	3.00 g
5/8-11	KLOC-10	0.93	0.18	0.06	0.04	4.80 g
3/4-10	KLOC-12	1.12	0.22	0.07	0.05	9.40 g
7/8-9	KLOC-14	1.30	0.22	0.07	0.05	10.10 g
1-8	KLOC-16	1.49	0.28	0.08	0.06	16.25 g
Unified Fine						
5/16-24	KLOF-5	0.50	0.50	0.04	0.03	0.45 g
3/8-24	KLOF-6	0.56	0.56	0.04	0.03	1.13 g
1/2-20	KLOF-8	0.75	0.75	0.06	0.03	2.02 g
1-12	KLOF-16	1.49	1.49	0.08	0.04	9.11 g
Metric Sizes						
M4X.7	KLOM-4	7	1.4	.50	.35	0.24 g
M5X.8	KLOM-5	8	1.6	.60	.40	0.24 g
M6X1	KLOM-6	10	2.0	.70	.50	0.45 g
M8X1.25	KLOM-8	13	2.5	.88	.63	0.95 g
M10X1.5	KLOM-10	17	3.0	1.05	.75	1.79 g
M12X1.75	KLOM-12	19	3.5	1.23	.88	2.83 g
M16X2	KLOM-16	24	4.0	1.40	1.00	4.78 g
M20X2.5	KLOM-20	30	5.0	1.75	1.25	9.39 g
M22X2.5	KLOM-22	32	5.0	1.75	1.25	10.12 g
M24X3	KLOM-24	36	6.0	2.10	1.50	16.21 g